

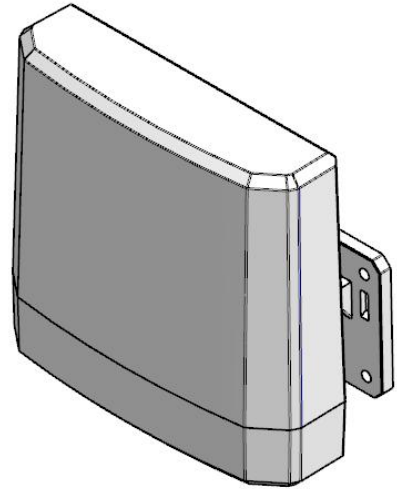
# Multi Band Patch Antenna

824~894 / 1745~2655MHz / 6 / 6dBi

## CPIWS-PA-0606

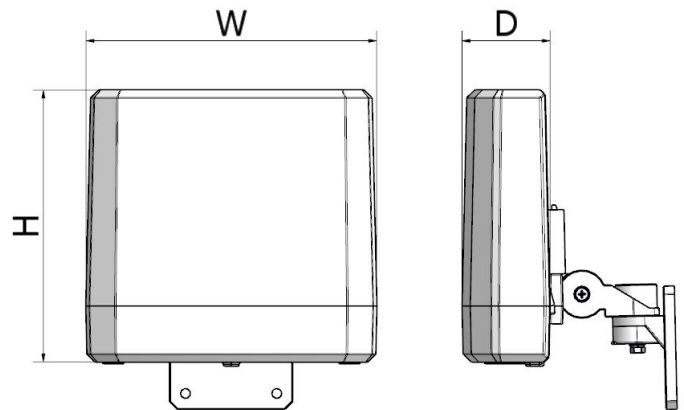
### i. Electrical Specification

Frequency Range	824~894MHz	1745~2655MHz
Polarization	Vertical	Vertical
Band Width	70 MHz	910 MHz
Gain	≥ 6 dBi	≥ 6 dBi
Beam width	Horizontal	50°~90°
	Vertical	50°~90°
F-B ratio (Horizontal & Vertical)	-	-
VSWR	≤ 1.5 :1	≤ 1.5 : 1
Impedance	50 Ω	
IMD (3rd)	-140dBc 이하(@ 2x30dBm )	
Maximum input power	10 W	

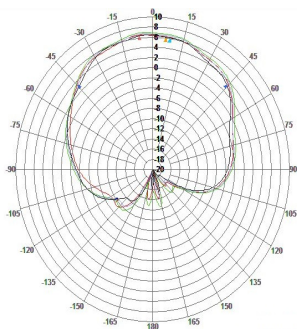


### ii. Mechanical Specification

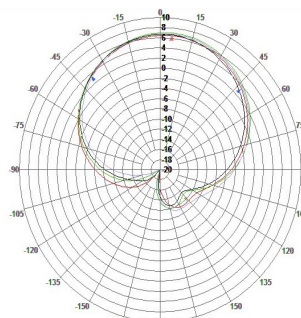
Radom Dimension (HxWxD )	170 x 182 x 55 mm
Weight ( Include bracket )	0.5 이하 Kg
Connector Type	N-J (Female)
Withstand Wind Pressure	60 m/sec
Radome Material	ASA
Radome Color	Cool Gray 1C, Cool Gray 4C
Mechanical Down Tilt	Up, Down ± 30°
	Left, Right ± 30°
Temperature	-40 °C ~ 70 °C
Packing Size (H x W x D) 10SET	-
Packing Weight 10SET	-



### iii. Radiation Pattern



Horizontal Pattern



Vertical Pattern